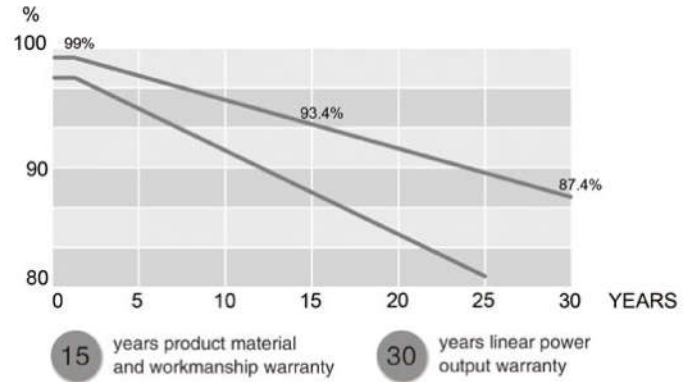
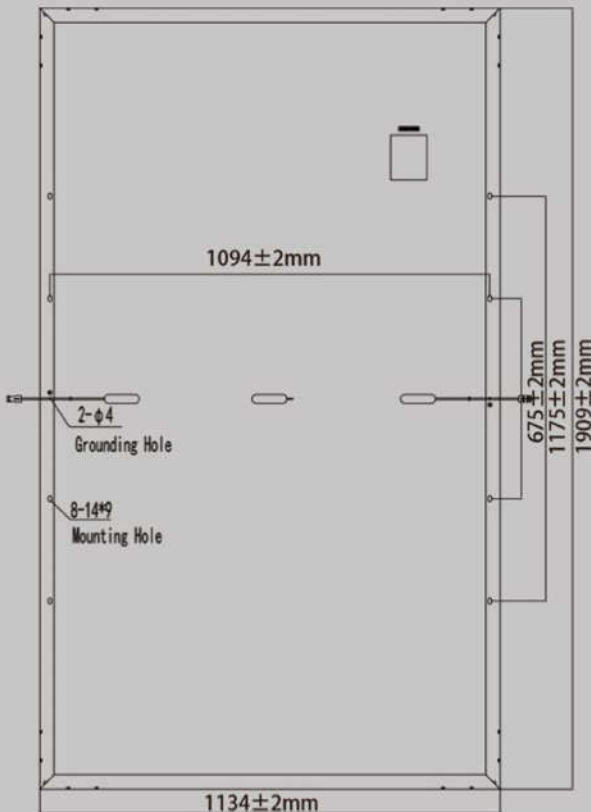
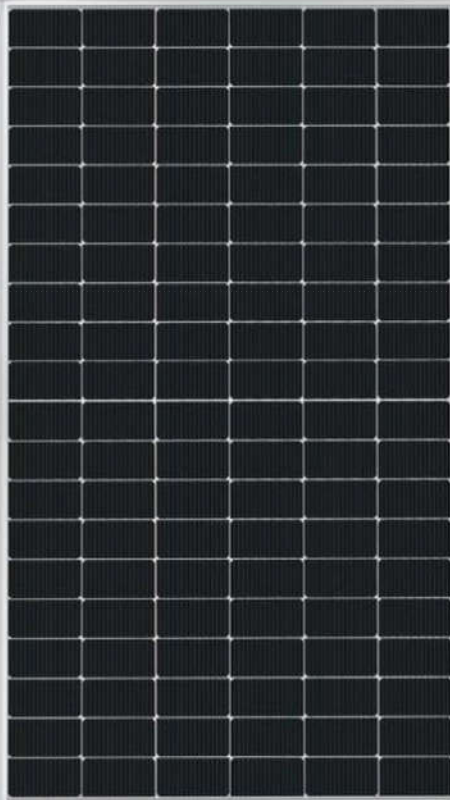


BM-10-120-480W(485W)
N-type mono crystalline



Electrical Specifications

Model	BM-10-120-480W	BM-10-120-485W
Peak power(Pmax)	480W	485W
Max.power voltage(Vmp)	35.39V	35.55V
Max.power current(Imp)	13.57A	13.65A
Open circuit voltage(Voc)	42.72V	42.89V
Short circuit current(Isc)	14.31A	14.39A
Efficiency	22.17%	22.40%
Power tolerance	0~+5W	
Max.system voltage	1500V DC	
Series fuse rating	25A	
Number of bypass diode	3	
Operating temperature	-40°C to+85°C	

STC:Irradiance 1000W/m² , Module temperature 25°C,AM=1.5

Mechanical Characteristics

Dimensions	1909*1134*35/30mm
Solar cells	120 cells in series(TOPCon182*91mm)
Weight	23kg,monofacial glass 26kg,bifacial dual glass
Monofacial glass	High transmits,Low Iron,3.2mm Tempered Glass
Bifacial glass	High transmits,Low Iron,2.0mm Tempered Glass
Cable	Cooper(4mm ²)
Lengths	300mm(+)and300mm(-),or customized
Connector	MC4 Plug Types
Frame	Aluminium-alloy

Quality Parameters

DC withstand voltage	Maximum 6000 VDC
Maximum load	5400pa
Hail test	Diameter 25mm,speed 23m/s

Packaging

Packaging Materials	corner protectors,cartons,pallets
Quantity	35mm thickness:31pcs/pallet;24pallets/40 ' HQ;744pcs/40 ' HQ 30mm thickness:36pcs/pallet;24pallets/40 ' HQ;864pcs/40 ' HQ